

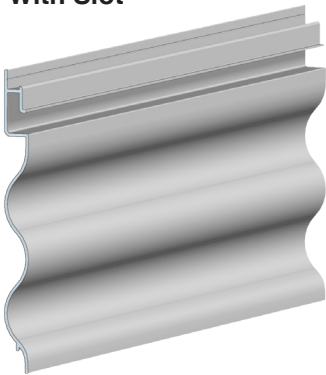
# Wave Wall™ Installation

The Wave Wall™ slatwall system comes in 2 variations - with and without slatwall slots. Either variation can cover an entire wall or intermix as desired. Plan your wall ahead and make sure you have the correct pieces.

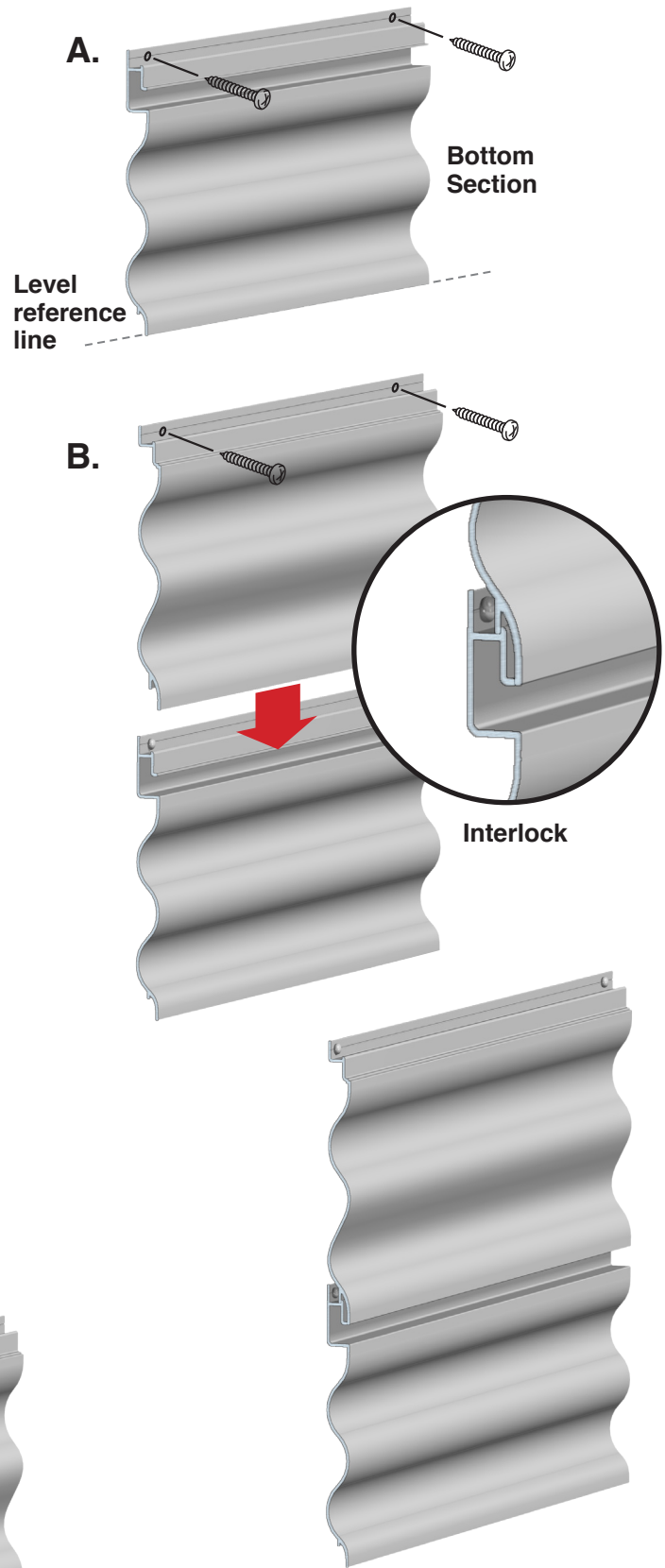
- 1 Start at the bottom. If studs are concealed under a substrate, you must first locate and mark stud locations. **We recommend attachment to studs every 16" on-center.**
- 2 Laser or snap a **level reference line** at the bottom of your entire slatwall area. Double check to make sure the total number of slatwall pieces will fit your desired slatwall area.
- 3 Place the first piece of Wave Wall™ with the bottom aligned to your level line and attach with screws as shown in A. It's important that it's installed straight and level. Do not space screws greater than 16" apart and use maximum size #6 pan head screw. Screws should be centered in the small groove on top. Pre-drill if necessary.
- 4 Place the second piece of Wave Wall™ onto the first, making sure it interlocks tightly as shown. Once seated correctly, attach each piece with screws at the top as shown in B. Do not space screws greater than 16" apart. Repeat the procedure with additional pieces, making sure each is seated as shown and secured at the top with screws. Continue to the top of your slatwall area until all pieces are installed. Always check level and fit of each piece.

**Caution: Improper installation will cause accessory problems and uneven walls.**

With Slot



Without Slot



MEGAWALL