



MEGAWALL[®]
SLATWALL SYSTEMS

PREMIER MANUFACTURER OF SLATWALL DISPLAY SYSTEMS

WWW.MEGAWALL.COM

1-800-948-2736

MEGAWALL™ SLATWALL SYSTEMS

MegaWall is the premier manufacturer of slatwall display systems. Our products feature slatwall profile sections that interlock to form uninterrupted wall and display areas. Options include hidden fasteners, multiple slat-spacings and single or double-sided systems. Additional products include prefabricated panels, kits to update display gondolas, custom fixtures, shelves and brackets. MegaWall products offer outstanding appearance, incredible strength and outstanding durability.

STEEL SLATWALL

3" SLAT SPACING.

ALUMINUM SLATWALL

1", 1-3/8", 1-1/2", 2", 3" SLAT SPACING.

PLASTIC SLATWALL

1", 1-3/8", 3" SLAT SPACING.

SLATWALL PANELS

STEEL, ALUMINUM, READY TO HANG.

NUPANELS

RETROFIT ANY STANDARD GONDOLA.

V-WALL SYSTEM

SINGLE TRACK SYSTEM - ACCOMODATES ACRYLIC SHELVES.

SHELVES & BRACKETS

MEDIUM & HEAVY DUTY.

CUSTOM FIXTURES

METAL & MODULAR SYSTEMS.



3" Steel, 2" and 1" aluminum shown.

STEEL SLATWALL SYSTEM

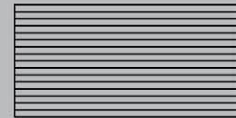


3" STEEL SLATWALL PATENT NUMBER 7,571,571, B1



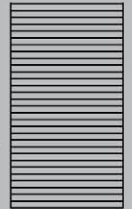
32 Square Foot Sections
 \$229.00 Standard Colors
 \$289.00 Premium Finishes

Boxed & priced in 32 Square Foot Sections to cover either:



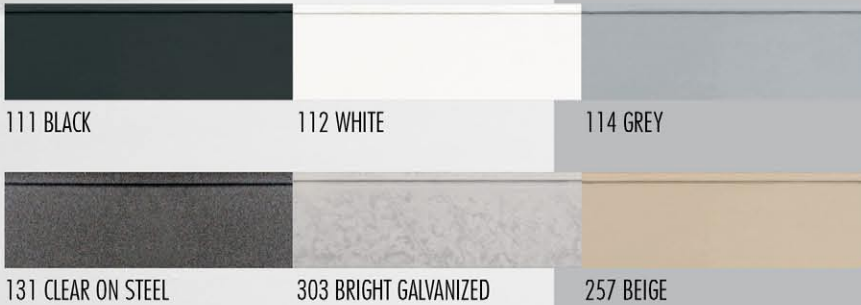
8' wide x 4' tall:
 P-3-96 + Color Code

- OR -



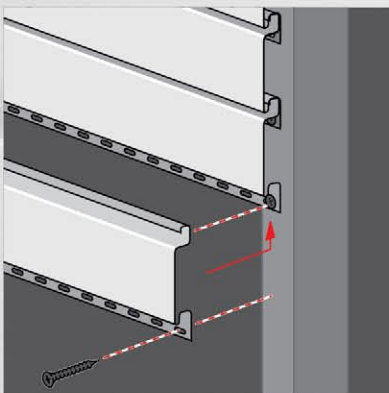
4' wide x 8' tall
 P-3-48 + Color Code

STANDARD COLORS.



- Unparalleled strength.
- Extremely durable & easy to clean.
- Matching edge and corner trims available.
- Custom lengths and color matching available.
- MegaWall Steel Slatwall meets ASTM E-84-91A flame test standards with ratings of 5 for flame spread and 0 for smoke development.

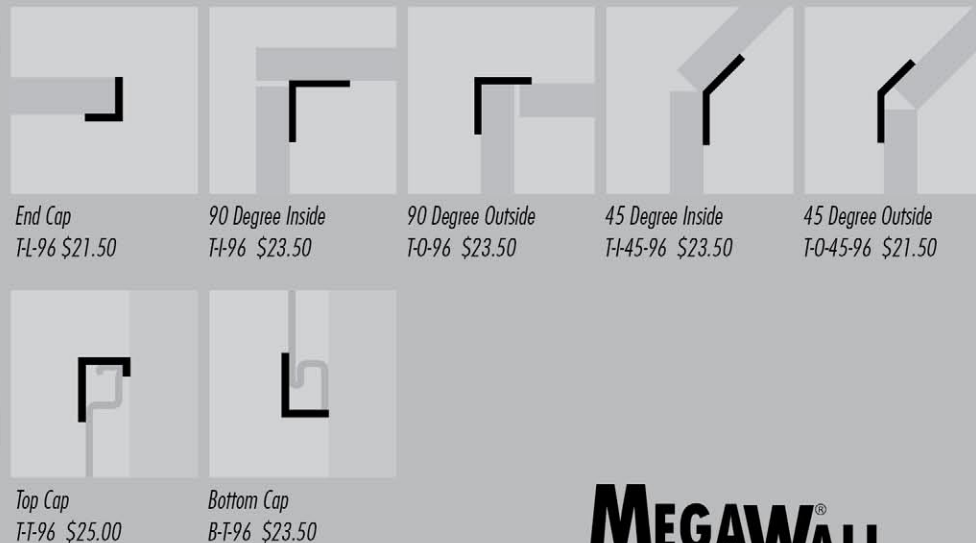
PREMIUM FINISHES.



Steel slats interlock.

FINISH AND CORNER TRIM

96" Long trim. Available in matching color finishes and clear anodized aluminum.



ALUMINUM SLATWALL SYSTEMS

Prices are for 6" high x 96" long aluminum extrusions.



1" ALUMINUM MEGAWALL



Flat Back A10-1S-96
\$31.00 raw mill
\$39.50 anodized/powdercoat



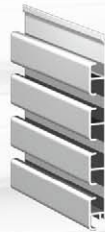
Hidden Fastener AHF-1-96
\$37.00 raw mill
\$46.00 anodized/powdercoat



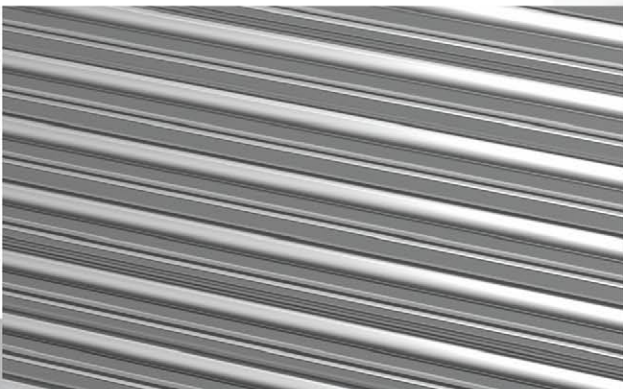
Double-Sided A10-2S-96
\$57.50 raw mill
\$75.00 anodized/powdercoat



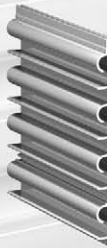
1-3/8" ALUMINUM MEGAWALL



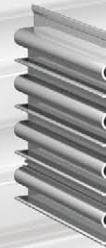
Flat Back A138-1S-96
\$31.00 raw mill
\$39.50 anodized/powdercoat



1-1/2" ALUMINUM MEGAWALL



Flat Back A15-1S-96
\$31.00 raw mill
\$39.50 anodized/powdercoat



Hidden Fastener AHF-15-96
\$37.00 raw mill
\$46.00 anodized/powdercoat



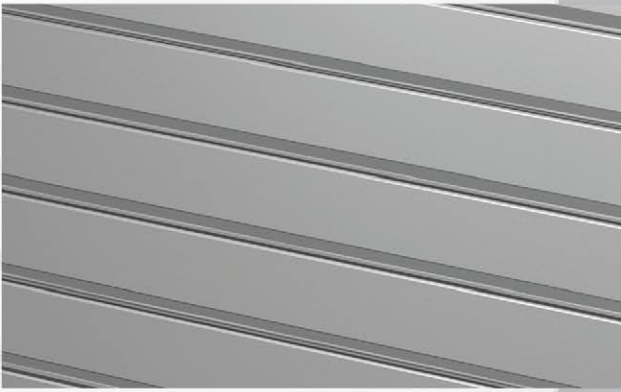
Double-Sided A15-2S-96
\$57.50 raw mill
\$75.00 anodized/powdercoat

- 50%+ Recycled Content
- LEED Certified
- Hidden fasteners available (1", 1-1/2", 3")
- Seamless up to 8' sections.
- Meets fire codes.
- Durable, easy to clean, no dust or formaldehyde issues.
- Stronger than conventional MDF with aluminum inserts.
- Matching edge and corner trims available.
- Custom lengths and color matching available.

PATENT NUMBER 6,349,507

MEGAWALL[®]
SLATWALL SYSTEMS
800-948-2736 www.megawall.com

ALUMINUM SLATWALL SYSTEMS



2" ALUMINUM MEGAWALL



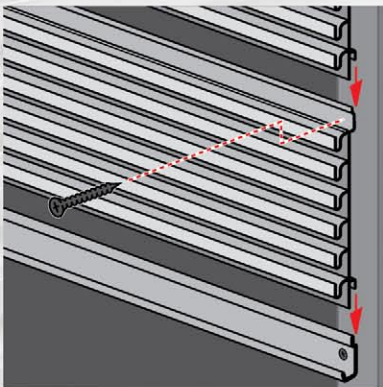
Double-Sided A20-2S-96
\$31.00 raw mill
\$45.00 anodized/powdercoat



3" ALUMINUM MEGAWALL

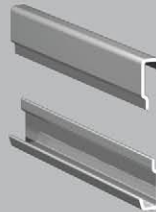


Hidden Fastener AHF-3-96
\$27.00 raw mill
\$36.50 anodized/powdercoat



6" High sections interlock together.

J-CAP - For hidden fastener installations



Serves for both top & bottom trim. 96" long. AHF-JC-96
\$8.50 raw mill
\$11.00 anodized/powdercoat

STANDARD COLORS - Custom powdercoat finishes are available.



000 RAW MILL

111 BLACK

800 CLEAR ANODIZE

112 WHITE

Prices are for 6" high x 96" long aluminum extrusions.

MEGAWALL[®]
SLATWALL SYSTEMS
800-948-2736 www.megawall.com

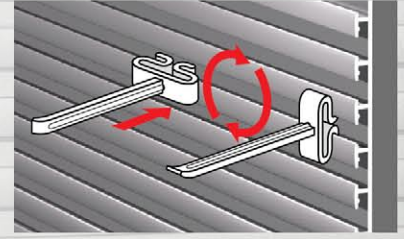
PLASTIC SLATWALL SYSTEMS



1" PLASTIC SLATWALL - STYRENE 6" x 96" EXTRUSION



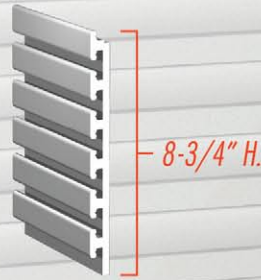
Flat Back AP-1-96
\$35.00 White or Black



1" Plastic accommodates custom hooks that snap in, twist and lock securely.

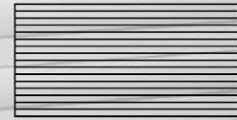


1-3/8" PLASTIC SLATWALL - PVC 8-3/4" x 96" EXTRUSION

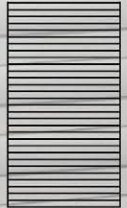


Flat Back NL-96W
\$39.50 White or Black.

Also available in pre-made panels on 1/4" luan backing.



8' wide x 4' tall:
NLP-96"x48"
\$310.00
Standard Extruded Finish



4' wide x 8' tall
NLP-48"x96"
\$310.00



3" PLASTIC SLATWALL - PVC 12" x 96" EXTRUSION



Flat Back PVC-12-96
\$39.50 White

All MegaWall Plastic Slatwall:

- Seamless up to 8' sections.
- Durable, easy to clean.
- 100% Recyclable.
- Custom lengths and color matching available.

MEGAWALL
SLATWALL SYSTEMS

800-948-2736 www.megawall.com

Z-bracket mounts available for all panels.

READY TO HANG PANELS



48"x12"
4812P-1



48"x24"
4824P-1

MegaWall Panels:

- Available in steel or aluminum.
- Multiple slat spacing options.
- Custom sizes and colors available.



24"x48"
2448P-1



12"x48"
1248P-1



24"x55" w/12" DECK
Tombstone with casters
TS2448-1
\$685.00

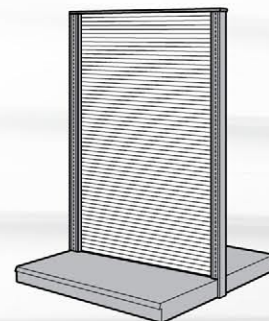


24"x24"
2424P-1

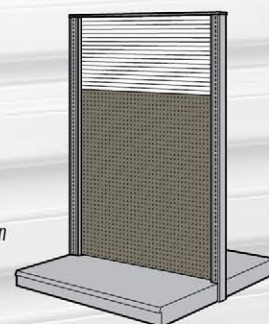
NUPANELS RETROFIT SYSTEM

NuPanels™ are 2-sided modular sections that drop into any standard gondola. They're able to function as independent top or bottom sections in 6" increments—or as entire panels. Gondola slotted uprights remain totally accessible for shelving, header signs or inserts with no interference. NuPanels™ accept standard slatwall hardware and are available in 1" or 2" vertical slat spacing.

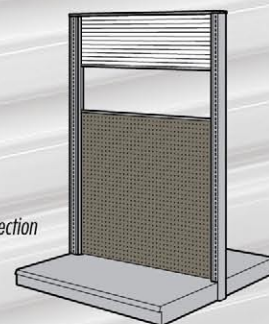
A cost effective update for outdated gondolas.



Full Panel



Top Section



Floating Section



- 1" or 2" Slat Spacing.
- Modular Sections.
- Double-Sided Panels.
- 6" Vertical Increments.
- Anodized or powder coated aluminum.
- Custom colors available.

MEGAWALL[®]
SLATWALL SYSTEMS
800-948-2736 www.megawall.com

Accepts Both Floating Shelves & Slatwall Hardware

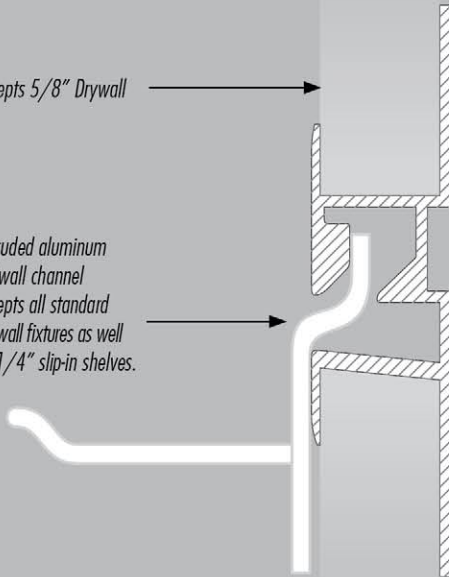
The V-Wall display system accepts both standard slatwall brackets AND floating, slip-in acrylic or glass shelves. V-Wall is supplied as an aluminum extrusion, ready to be embedded in 5/8" drywall but can be combined with other wall materials. It works well with laminate or veneer facings, keeping slot exposure to a minimum. V-Wall is compatible with energy efficient LED strip lighting (customer supplied & installed). Standard 96" lengths, raw mill finish, \$39.50 ea.

V-WALL SYSTEM

Patent Number 8,602,227

Accepts 5/8" Drywall

Extruded aluminum slatwall channel accepts all standard slatwall fixtures as well as 1/4" slip-in shelves.



With customer supplied LED lighting.



Inset into drywall.

MEGAWALL
SLATWALL SYSTEMS

800-948-2736 www.megawall.com

SHELVES AND BRACKETS

Shelves are formed and welded from heavy gauge steel. High performance shelves are 6" high and medium performance shelves are 3" high. Custom sizes and colors are available. We also make custom shelf brackets and fixtures - heavy duty and custom designed for unique products.

HIGH PERFORMANCE SHELVES 6" HIGH

18" W. X 18" D.
HPS-1818-6
\$98.00

23" W. X 14" D.
HPS-2314-6
\$98.00

24" W. X 22" D.
HPS-2422-6
\$109.00

34" W. X 14" D.
HPS-3414-6
\$109.00

46" W. X 14" D.
HPS-4614-6
\$121.00

48" W. X 24" D.
HPS-4824-6
\$144.00



MEDIUM PERFORMANCE SHELVES 3" HIGH

24" W. X 12" D.
MPS-2412-3
\$65.00

36" W. X 12" D.
MPS-3612-3
\$75.00

48" W. X 12" D.
MPS-4812-3
\$85.00



FIXTURES



Available in custom designs and sizes, with choices of steel or aluminum slatwall and with custom finishes.

Please note: All display units shipped unassembled.



L-Unit Modular Display

DIMENSIONS	PART NO.	
24" W. X 54" H., 16" DECK	24L-5416-3	\$430.00
24" W. X 78" H., 16" DECK	24L-7816-3	\$460.00
24" W. X 84" H., 16" DECK	24L-8416-3	\$500.00
36" W. X 54" H., 16" DECK	36L-5416-3	\$460.00
36" W. X 78" H., 16" DECK	36L-7816-3	\$512.00
36" W. X 84" H., 16" DECK	36L-8416-3	\$535.00
48" W. X 54" H., 16" DECK	48L-5416-3	\$500.00
48" W. X 78" H., 16" DECK	48L-7816-3	\$535.00
48" W. X 84" H., 16" DECK	48L-8416-3	\$570.00

Priced without back panels (available at additional cost).



T-Unit Modular Display

DIMENSIONS	PART NO.	
24" W. X 54" H., 16" DECK	24L-5416-3	\$673.00
24" W. X 78" H., 16" DECK	24L-7816-3	\$742.00
24" W. X 84" H., 16" DECK	24L-8416-3	\$805.00
36" W. X 54" H., 16" DECK	36L-5416-3	\$742.00
36" W. X 78" H., 16" DECK	36L-7816-3	\$805.00
36" W. X 84" H., 16" DECK	36L-8416-3	\$880.00
48" W. X 54" H., 16" DECK	48L-5416-3	\$805.00
48" W. X 78" H., 16" DECK	48L-7816-3	\$880.00
48" W. X 84" H., 16" DECK	48L-8416-3	\$950.00



H-Unit Modular Display

STEEL 3" O/C SLATS	PART NO.
48" L. X 26" W. X 54" H	S-H-Unit
\$940.00	
ALUMINUM 1" O/C SLATS	PART NO.
48" L. X 26" W. X 54" H	A-H-Unit
\$1,127.00	

Terms and Conditions

Payment and Terms

Checks and credit cards accepted - American Express, Visa and Mastercard. Net 30 day terms can be arranged in advance with approved accounts. All overdue accounts will be charged at a rate of 1-1/2% per month, calculated daily.

Shipments

All shipments are F.O.B. our plant, Comstock Park, Michigan. Where shipment is requested on a prepaid basis, the freight charges can be included on the invoice, or charged separately by prearranged third party billing or "collect" directly to the consignee.

Cancellations & Returns

Cancellations will not be accepted on any orders for custom or special items at any time after entry into our system. Cancellation requests for regular items will incur a \$50 charge to defray administrative costs after the order has been entered into our system. Undamaged, unopened cartons may be returned, subject to a 25% restocking fee. Customer responsible for return shipping.

Freight Claims

Claims for non-delivery, partial loss in transit, goods received in damaged condition, or other freight claims should be made by the purchaser immediately against the carrier involved. We ship on an F.O.B. basis, our liability ceases when the carrier accepts the goods.

Non-Conforming Shipments

Claims for short shipments must be made against MegaWall, Inc. within ten days of receipt of shipment.

Liability

We have no responsibility for consequential or incidental damages resulting from the purchase or use of the goods. Additionally, we will not be responsible for any delay in the performance of any order or in the delivery of any goods, or for any consequential or incidental damages resulting.



MEGAWALL[®]
SLATWALL SYSTEMS

MegaWall, Inc.
5340 Six Mile Court NW,
Comstock Park, MI 49321
Phone 1-800-948-2736 Fax 616-647-4090



WWW.MEGAWALL.COM