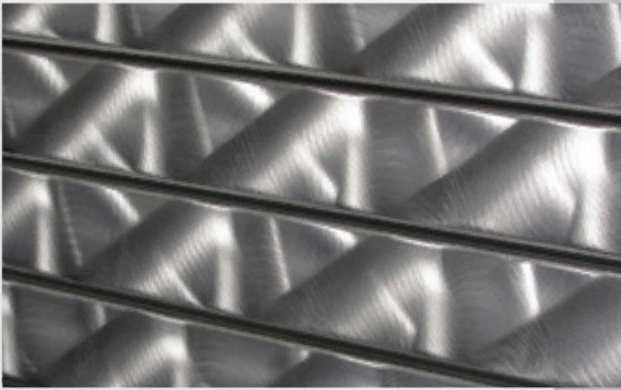


# STEEL SLATWALL SYSTEM



## 3" STEEL SLATWALL PATENT NUMBER 7,571,571, B1



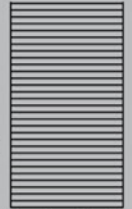
32 Square Foot Sections  
Standard Colors  
Premium Finishes

Boxed & priced in 32 Square Foot Sections to cover either:



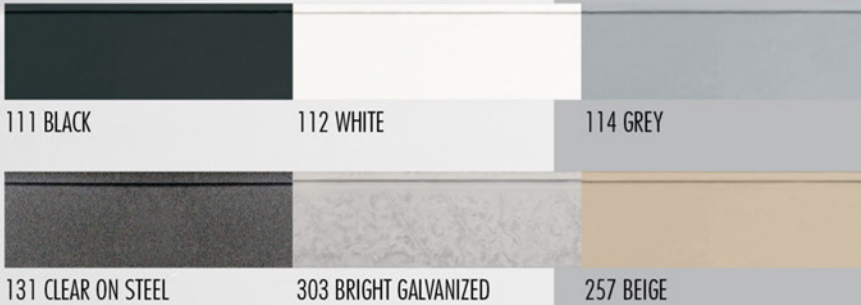
8' wide x 4' tall:  
P-3-96 • Color Code

- OR -



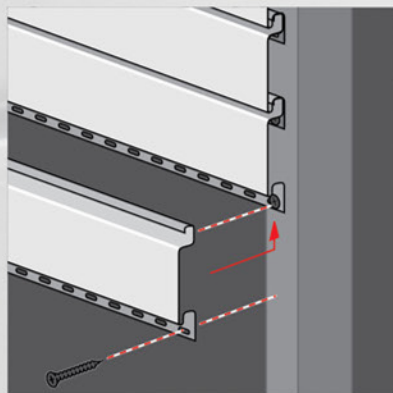
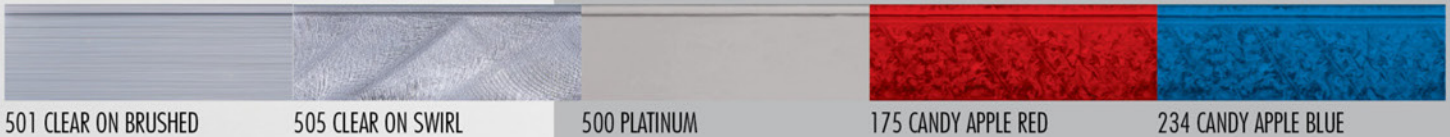
4' wide x 8' tall  
P-3-48 • Color Code

## STANDARD COLORS.



- Unparalleled strength.
- Extremely durable & easy to clean.
- Matching edge and corner trims available.
- Custom lengths and color matching available.
- MegaWall Steel Slatwall meets ASTM E-84-91A flame test standards with ratings of 5 for flame spread and 0 for smoke development.

## PREMIUM FINISHES.



Steel slats interlock.

## FINISH AND CORNER TRIM

96" Long trim. Available in matching color finishes and clear anodized aluminum.

