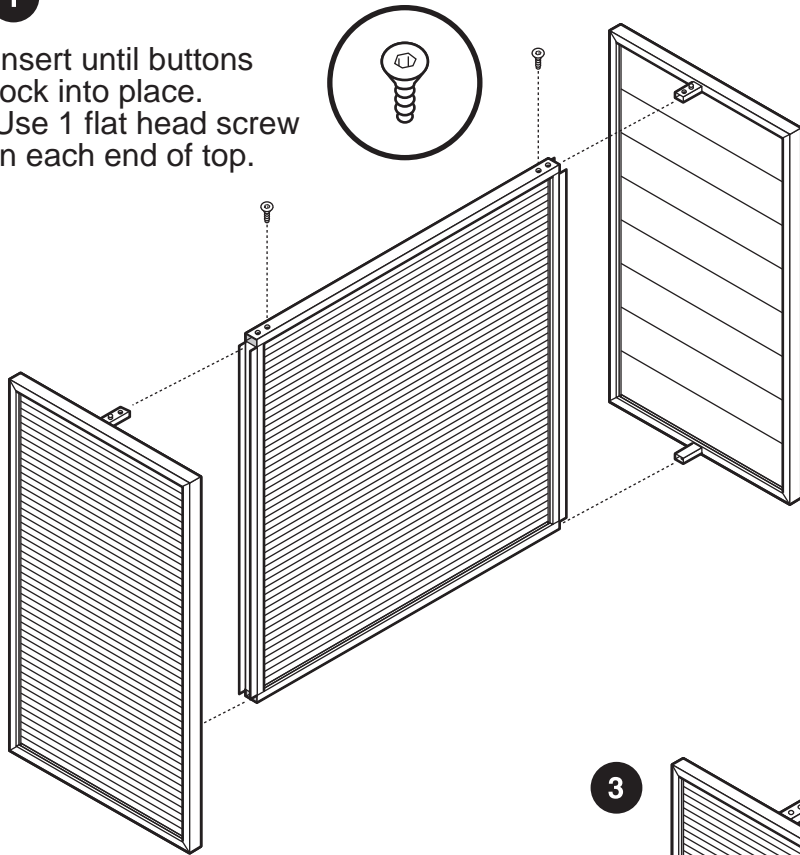


MegaWall H-Unit Assembly Instructions - Aluminum Version

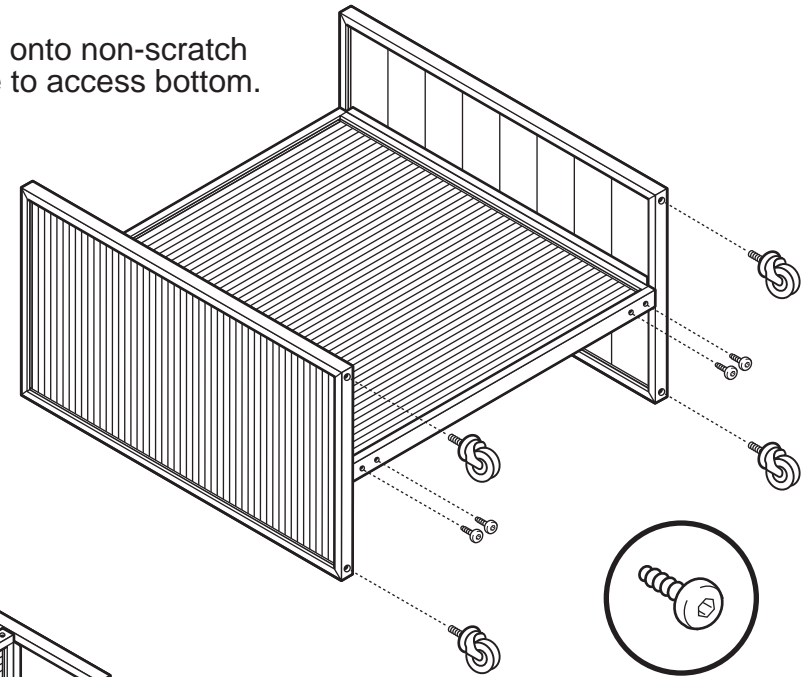
1

Insert until buttons lock into place.
Use 1 flat head screw in each end of top.

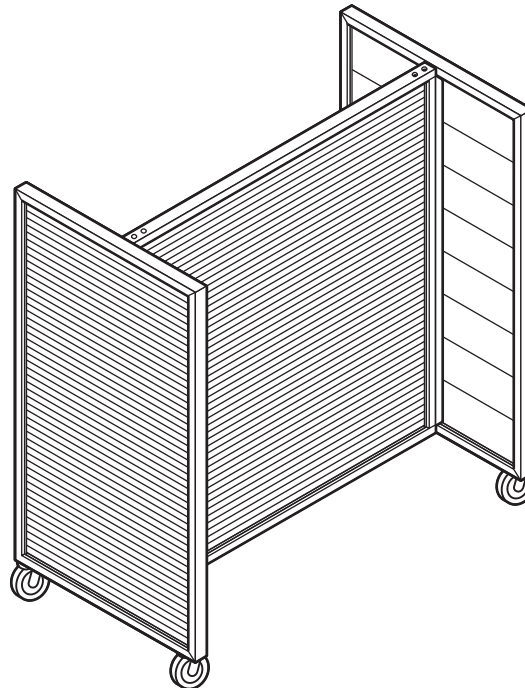


2

Tip unit onto non-scratch surface to access bottom.



3



Use 2 round head screws in each end of bottom.
Casters thread into holes.

